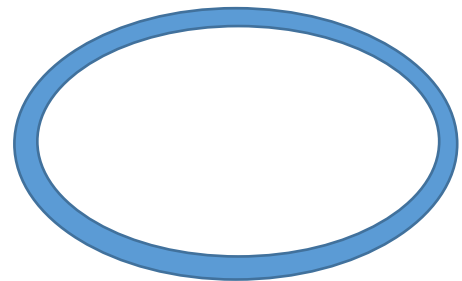


2002s —ONLY—

Replacing the Fuel Sender Tube Sleeve

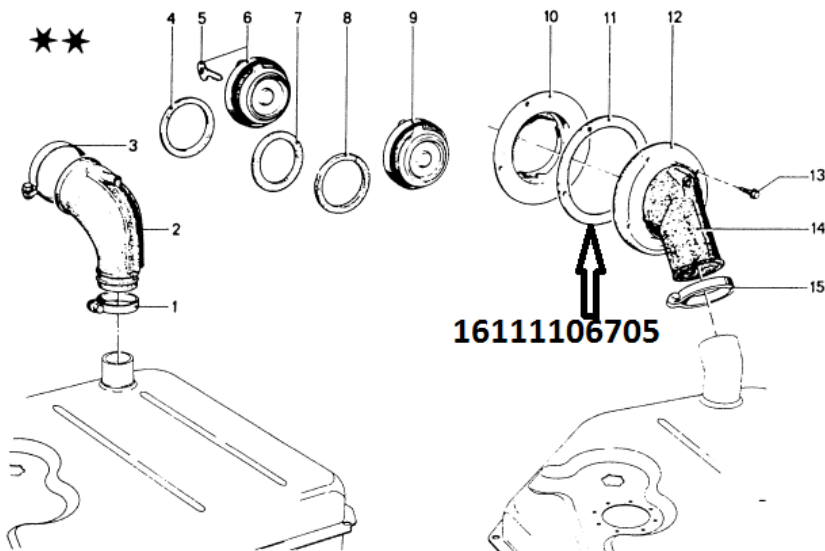
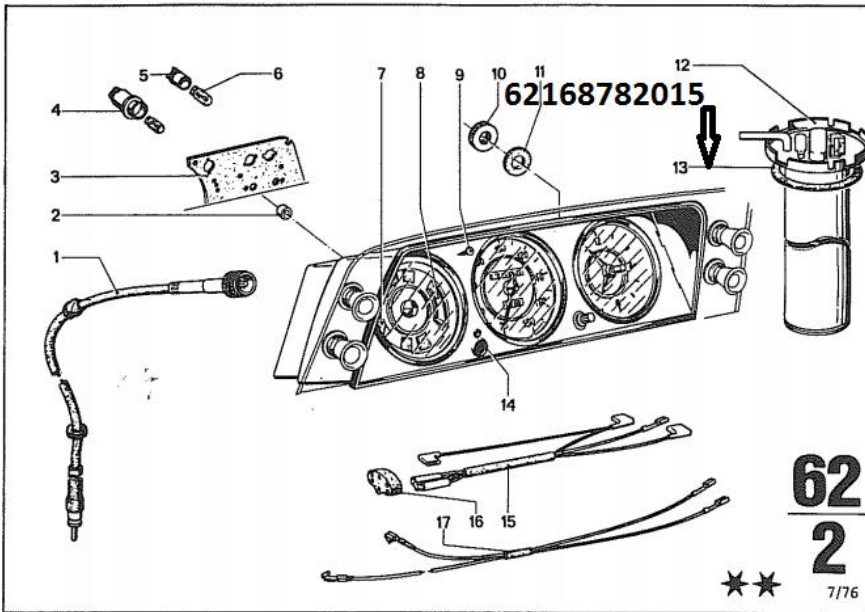
Over time the fuel sender tube sleeve on the 2002s deteriorates allowing gas to leak into the car. Or, more often than not, it was not replaced when new fuel hose was installed because a new one wasn't available.

It is simple to replace. Remove the fuel hose from the sender tube, remove the old sleeve if it is still there, and slid the new one onto the filler tube (you might need to lube the tube with some oil as it is a tight fit). Re-install the fuel hose and voila! One more source of gas smell eliminated.



OVER FOR MORE ↓↓

Other parts to replace include the fuel hoses (8mm or 5/16" ID), O-ring under the fuel sender itself, and the gasket around the filler neck.



00019780

COMPLIMENTS OF HAL BOYLES

2002s
—ONLY—

halboyles@2002sonly.com